



FUEGO 200
RY-200FU



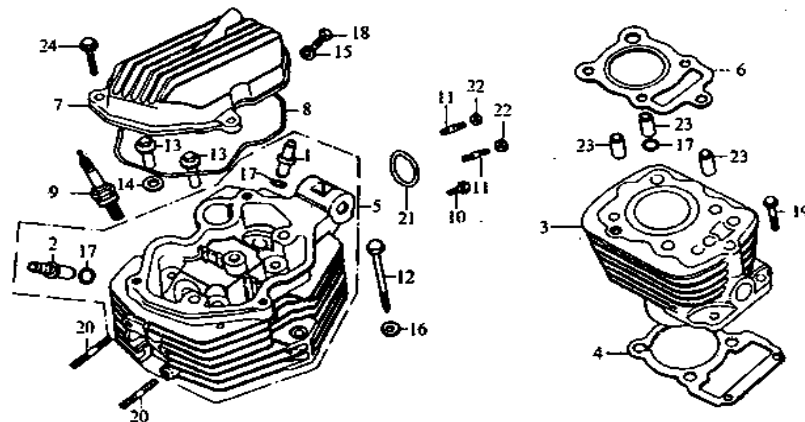
SPARES

ENGINE PARTS

INDEX

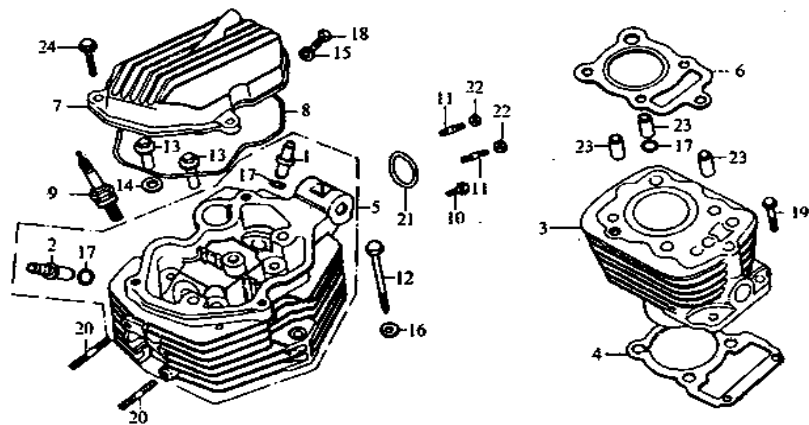
| ASSY NO. | DESCRIPTION | PAGE NO. |
|-----------------|-----------------------------------|-----------------|
| A1 | CYLINDER BLOCK/CYLINDER HEAD ASSY | 1-2 |
| A2 | VALVE/CAM SHAFT ASSY | 3-4 |
| A3 | CRANKSHAFT ASSY | 5-6 |
| A4 | CRANKCASE ASSY | 7-8 |
| A5 | OIL PUMP/OIL FILTER ASSY | 9 |
| A6 | CLUTCH ASSY | 10 |
| A7 | RIGHT CRANKCASE COVER | 11-12 |
| A8 | TRANSMISSION ASSY | 13-16 |
| A9 | GEAR SHAFT ASSY | 17-18 |
| A10 | LEFT CRANKCASE COVER/MAGNETO ASSY | 19-20 |
| A11 | STARTING MOTOR ASSY | 21 |

A1 - CYLINDER BLOCK/CYLINDER HEAD ASSY



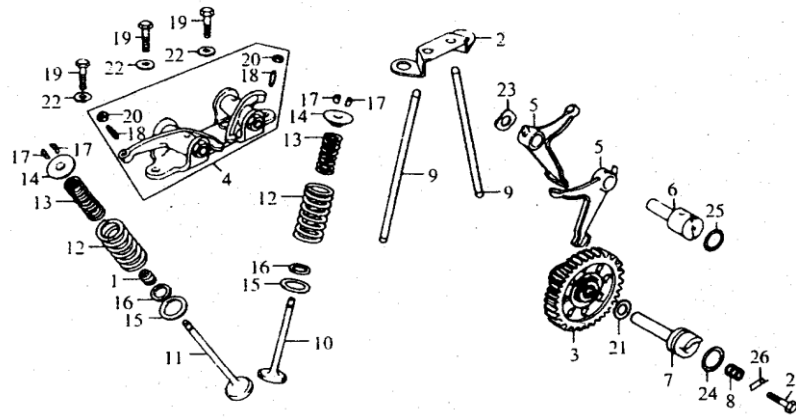
| S.NO. | PART CODE | DESCRIPTION | QUANTITY |
|---------|-----------|------------------------|----------|
| A1 - 1 | F00A001 | INTAKE VALVE GUIDE | 1 |
| A1 - 2 | F00A002 | EXHAUST VALVE GUIDE | 1 |
| A1 - 3 | H09A038 | CYLINDER BLOCK | 1 |
| A1 - 4 | G001B010 | GASKET, CYLINDER BLOCK | 1 |
| A1 - 5 | H09A000 | CYLINDER HEAD COMP | 1 |
| A1 - 6 | H09B008 | GASKET, CYLINDER HEAD | 1 |
| A1 - 7 | F00A036 | CYLINDER HEAD COVER | 1 |
| A1 - 8 | F00C014 | SEAL RING | 1 |
| A1 - 9 | F00D021 | SPARK PLUG | 1 |
| A1 - 10 | 96006020 | STUD M6×20 | 1 |
| A1 - 11 | F00M010 | STUD M6×22 | 2 |
| A1 - 12 | F00M013 | STUD M8×90 | 1 |
| A1 - 13 | F00M012 | NUT | 4 |
| A1 - 14 | F00L018 | WASHER | 2 |
| A1 - 15 | D00L020 | WASHER Ø6 | 1 |

A1 - CYLINDER BLOCK/CYLINDER HEAD ASSY



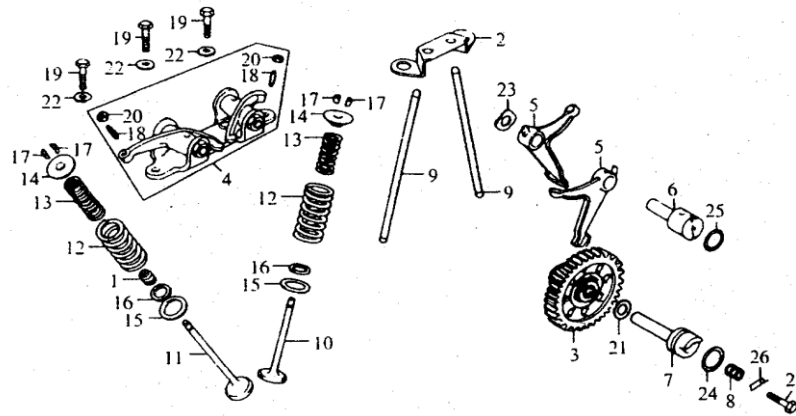
| S.NO. | PART CODE | DESCRIPTION | QUANTITY |
|---------|-----------|--------------------------|----------|
| A1 - 16 | F00L001 | WASHER Φ 8 | 1 |
| A1 - 17 | F00C063 | O-RING | 3 |
| A1 - 18 | 96006012 | BOLT M6 \times 12 | 1 |
| A1 - 19 | 96006025 | BOLT M6 \times 25 | 2 |
| A1 - 20 | F00M007 | BOLT M6 \times 35 | 2 |
| A1 - 21 | F00C050 | O-RING 33.5 \times 3 | 1 |
| A1 - 22 | 100706000 | NUT M6 | 2 |
| A1 - 23 | 97010020 | DOWEL PIN 10 \times 20 | 3 |
| A1 - 24 | 578906028 | BOLT M6 \times 28 | 3 |

A2 - VALVE/CAM SHAFT ASSY



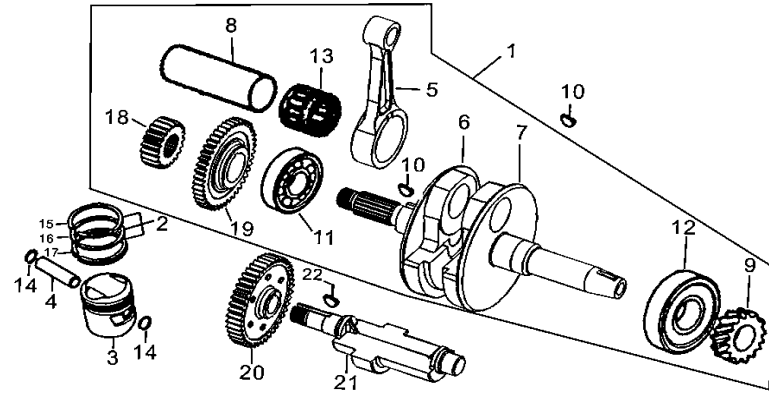
| S.NO. | PART CODE | DESCRIPTION | QUANTITY |
|---------|-----------|--------------------------|----------|
| A2 - 1 | F00C043 | OIL SEAL, VALVE | 1 |
| A2 - 2 | F00F035 | BRACKET, PUSH ROD | 1 |
| A2 - 3 | F00F030 | CAM GEAR, TIMING | 1 |
| A2 - 4 | F00F000 | ROCKER ARM BASE | 1 |
| A2 - 5 | F00F037 | ROCKER ARM | 2 |
| A2 - 6 | H09F038 | SHAFT,ROCKER ARM | 1 |
| A2 - 7 | F00F040 | CAM SHAFT | 1 |
| A2 - 8 | F00H005 | SPRING, CAM SHAFT | 1 |
| A2 - 9 | H091F036 | PUSH ROD | 2 |
| A2 - 10 | 302F045 | INLET VALVE | 1 |
| A2 - 11 | 302F039 | EXHAUST VALVE | 1 |
| A2 - 12 | F00H003 | VALVE SPRING, OUTER | 2 |
| A2 - 13 | F00H004 | VALVE SPRING, INNER | 2 |
| A2 - 14 | F03F034 | RETAINER, VALVE SPRING | 2 |
| A2 - 15 | F00F031 | SEAT, VALVE SPRING OUTER | 2 |

A2 - VALVE/CAM SHAFT ASSY



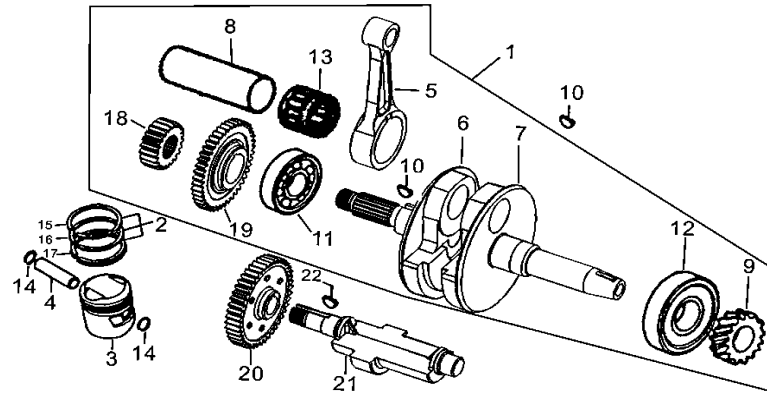
| S.NO. | PART CODE | DESCRIPTION | QUANTITY |
|---------|-----------|-----------------------------------|----------|
| A2 - 16 | F00F032 | SEAT, VALVE SPRING INNER | 2 |
| A2 - 17 | F03F033 | CLIP, VALVE | 4 |
| A2 - 18 | F00F001 | SCREW, VALVE CLEARANCE ADJUSTMENT | 2 |
| A2 - 19 | 578308028 | BOLT M8×28 | 3 |
| A2 - 20 | F00F002 | NUT, VALVE CLEARANCE ADJUSTMENT | 2 |
| A2 - 21 | F00L045 | WASHER | 1 |
| A2 - 22 | F00L002 | WASHER | 3 |
| A2 - 23 | F00L043 | WASHER | 1 |
| A2 - 24 | F00C066 | O-RING 20×2.5 | 1 |
| A2 - 25 | F00C067 | O-RING 17×2.5 | 1 |
| A2 - 26 | F00L028 | CAM SHAFT STOPPER | 1 |
| A2 - 27 | 96006012 | BOLT M6×12 | 1 |

A3 - CRANKSHAFT ASSY



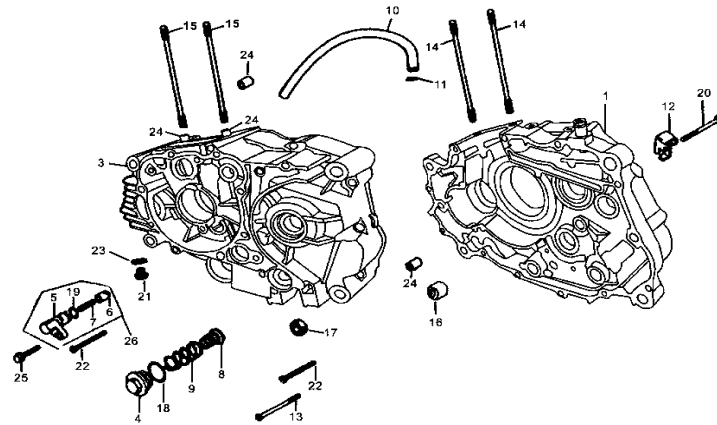
| S.NO. | PART CODE | DESCRIPTION | QUANTITY |
|---------|-----------|--------------------|----------|
| A3 - 1 | H11J000 | CRANKSHAFT ASSY | 1 |
| A3 - 2 | H09J013 | PISTON RING SET | 1 |
| A3 - 3 | H091J014 | PISTON | 1 |
| A3 - 4 | F00J012 | PISTON PIN | 1 |
| A3 - 5 | H11J004 | CONNECTING ROD | 1 |
| A3 - 6 | H11J005 | CRANKSHAFT, R | 1 |
| A3 - 7 | H11J006 | CRANKSHAFT, L | 1 |
| A3 - 8 | H11J007 | PIN, CRANK SHAFT | 1 |
| A3 - 9 | F00J003 | DRIVE GEAR, TIMING | 1 |
| A3 - 10 | 308J001 | WOODRUFF KEY | 2 |
| A3 - 11 | 2766328 | BEARING | 1 |
| A3 - 12 | 2766328RS | BEARING | 1 |
| A3 - 13 | H11J008 | ROLLER BEARING | 1 |
| A3 - 14 | F00J011 | CIRCLIP | 2 |
| A3 - 15 | H09J009 | PISTON RING NO.1 | 1 |

A3 - CRANKSHAFT ASSY



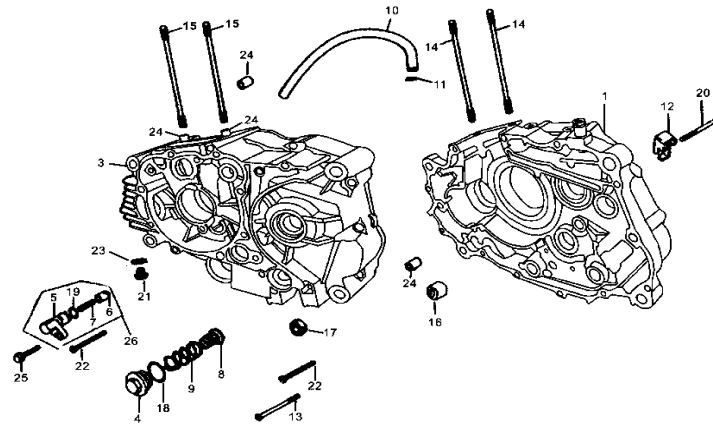
| S.NO. | PART CODE | DESCRIPTION | QUANTITY |
|---------|-----------|----------------------------|----------|
| A3 - 16 | H09J010 | PISTON RING NO.2 | 1 |
| A3 - 17 | H09J015 | PISTON RING COMBINATION | 1 |
| A3 - 18 | 308K015 | DRIVING GEAR | 1 |
| A3 - 19 | 308J021 | BALANCE SHAFT DRIVING GEAR | 1 |
| A3 - 20 | 308J022 | BALANCE SHAFT GEAR | 1 |
| A3 - 21 | H11J020 | BALANCE SHAFT | 1 |
| A3 - 22 | 308J004 | FLAT KEY | 1 |

A4 - CRANKCASE ASSY



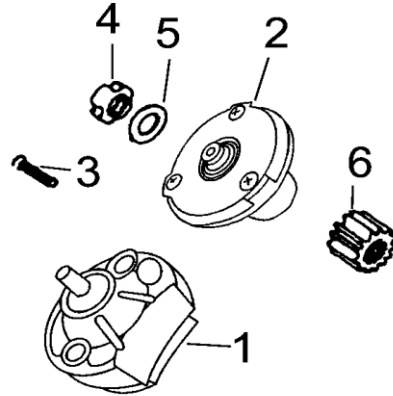
| S.NO. | PART CODE | DESCRIPTION | QUANTITY |
|---------|-----------|----------------------------|----------|
| A4 - 1 | 308A020 | RIGHT CRANKCASE COMP | 1 |
| A4 - 2 | 308B005 | GASKET | 1 |
| A4 - 3 | 308A010 | LEFT CRANKCASE COMP | 1 |
| A4 - 4 | F03A032 | OIL FILTER COVER | 1 |
| A4 - 5 | 302F017 | PRESSURE PIN | 1 |
| A4 - 6 | 302F018 | PIN | 1 |
| A4 - 7 | 302H010 | SPRING | 1 |
| A4 - 8 | F00C037 | STRAINER, OIL FILTER COMP. | 1 |
| A4 - 9 | F00H008 | SPRING | 1 |
| A4 - 10 | F00C024 | EXHAUST PIPE | 1 |
| A4 - 11 | F00L013 | CLIP | 1 |
| A4 - 12 | F031L031 | STAY, CLUTCH CABLE | 1 |
| A4 - 13 | 96006095 | BOLT M6×95 | 1 |
| A4 - 14 | H09M001 | STUD A M8×143 | 2 |
| A4 - 15 | H09M002 | STUD B M8×141 | 2 |

A4 - CRANKCASE ASSY



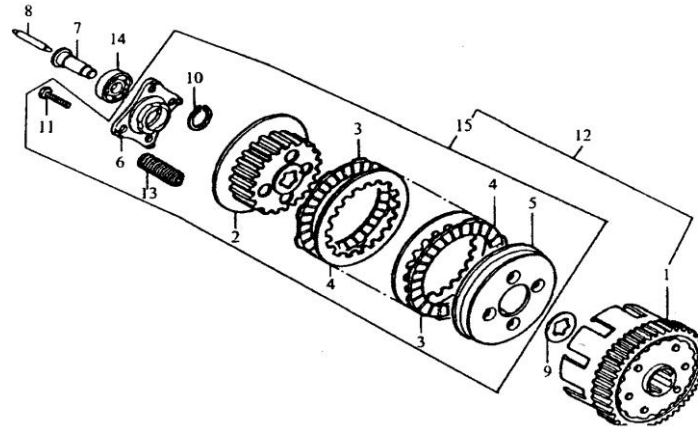
| S.NO. | PART CODE | DESCRIPTION | QUANTITY |
|---------|-----------|--------------------------|----------|
| A4 - 16 | 2901512 | NEEDLE BEARING HK 152312 | 1 |
| A4 - 17 | F00C046 | OIL SEAL 14×28×7 | 1 |
| A4 - 18 | F00C050 | O-RING 35.5×3 | 1 |
| A4 - 19 | F00C068 | O-RING 13×25 | 1 |
| A4 - 20 | 96006055 | BOLT M6×55 | 1 |
| A4 - 21 | F01E026 | DRAIN PLUG | 1 |
| A4 - 22 | 96006050 | BOLT M6×50 | 9 |
| A4 - 23 | D00L022 | WASHER FOR DRAIN PLUG | 1 |
| A4 - 24 | 97010014 | DOWEL PIN 10×14 | 2 |
| A4 - 25 | 96006025 | BOLT M6×25 | 1 |
| A4 - 26 | 302F016 | PRESSURE PIN COMP | 1 |

A5 - OIL PUMP/OIL FILTER ASSY



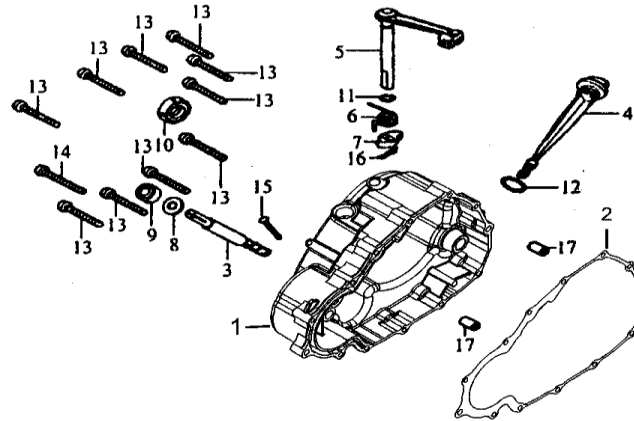
| S.NO. | PART CODE | DESCRIPTION | QUANTITY |
|--------|-----------|-----------------|----------|
| A5 - 1 | 308E000 | OIL PUMP ASSY | 1 |
| A5 - 2 | 308E010 | OIL FILTER COMP | 1 |
| A5 - 3 | 81906030 | SCREW M6×30 | 2 |
| A5 - 4 | A00G055 | NUT | 1 |
| A5 - 5 | F00G052 | THRUST-WASHER | 1 |
| A5 - 6 | F02K015 | DRIVEN GEAR | 1 |

A6 - CLUTCH ASSY



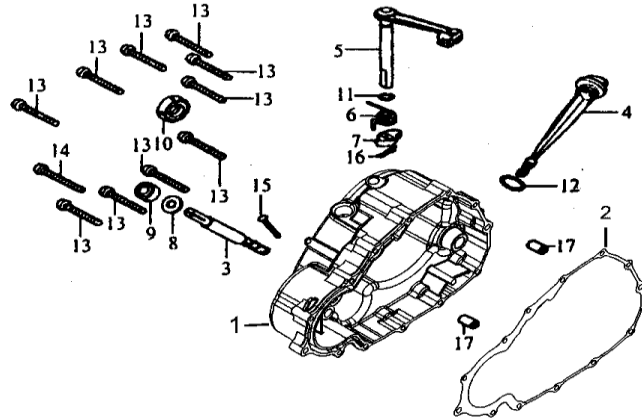
| S.NO. | PART CODE | DESCRIPTION | QUANTITY |
|---------|-----------|------------------------|----------|
| A6 - 1 | H09G004 | OUTER COMP,CLUTCH | 1 |
| A6 - 2 | H09G005 | CENTER SLEEVE, CLUTCH | 1 |
| A6 - 3 | H09G001 | CLUTCH FRICTION PLATE | 5 |
| A6 - 4 | H09G012 | CLUTCH PLATE | 4 |
| A6 - 5 | H09G041 | PRESSURE PLATE | 1 |
| A6 - 6 | H09G160 | END COVER, CLUTCH | 1 |
| A6 - 7 | F032G163 | SEPARATING AXLE SLEEVE | 1 |
| A6 - 8 | | ROD, CLUTCH PUSH | 1 |
| A6 - 9 | F00L053 | WASHER | 1 |
| A6 - 10 | F00G030 | CIRCLIP 17MM | 1 |
| A6 - 11 | 578306035 | BOLT M6×35 | 4 |
| A6 - 12 | H09G000 | CLUTCH BODY ASSY | 1 |
| A6 - 13 | F00G002 | SPRING | 4 |
| A6 - 14 | 2766001 | BEARING 6001 | 1 |
| A6 - 15 | H09G060 | CLUTCH DISC COMP | 1 |

A7 - RIGHT CRANKCASE COVER



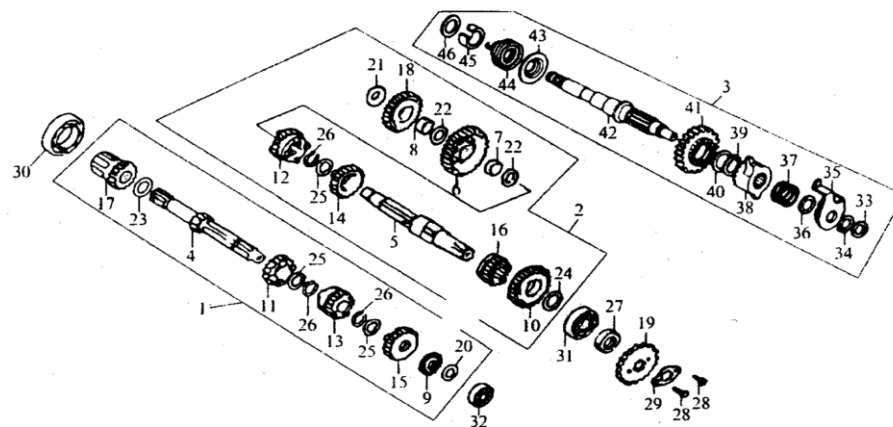
| S.NO. | PART CODE | DESCRIPTION | QUANTITY |
|---------|---------------|-------------------------------|----------|
| A7 - 1 | 5024A034LHFPY | RIGHT CRANKCASE COVER (FUEGO) | 1 |
| A7 - 1 | 308A034BT | RIGHT CRANKCASE COVER (200B) | 1 |
| A7 - 2 | 308B002 | GASKET | 1 |
| A7 - 3 | F00K011 | OUTPUT SHAFT | 1 |
| A7 - 4 | F00C038 | DIPSTICK OIL GAUGE | 1 |
| A7 - 5 | F032G010 | CLUTCH ROD | 1 |
| A7 - 6 | F031H007 | SPRING | 1 |
| A7 - 7 | F032G027 | CLUTCH CAM | 1 |
| A7 - 8 | F00K012 | WASHER | 1 |
| A7 - 9 | F00C025 | OIL SEAL 6.5×14×7 | 1 |
| A7 - 10 | F00C015 | OIL SEAL 16×28×7 | 1 |
| A7 - 11 | F00C048 | O-RING 6.8×1.9 | 1 |
| A7 - 12 | D00L060 | O-RING 18×3 | 1 |
| A7 - 13 | 96006040 | SCREW M6×40 | 10 |
| A7 - 14 | 96006050 | SCREW M6×50 | 1 |

A7 - RIGHT CRANKCASE COVER



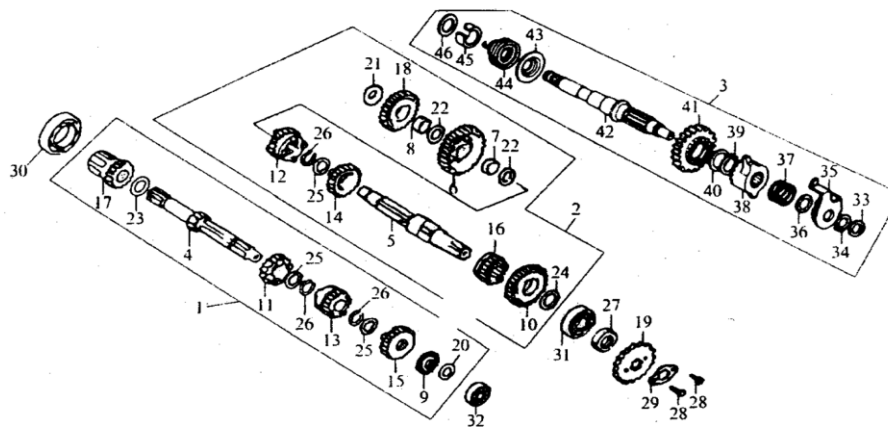
| S.NO. | PART CODE | DESCRIPTION | QUANTITY |
|---------|-----------|-----------------|----------|
| A7 - 15 | 82005025 | SCREW M5×25 | 1 |
| A7 - 16 | F00G047 | COTTER PIN 2×30 | 1 |
| A7 - 17 | 97008014 | DOWEL PIN 8×14 | 2 |

A8 - TRANSMISSION ASSY



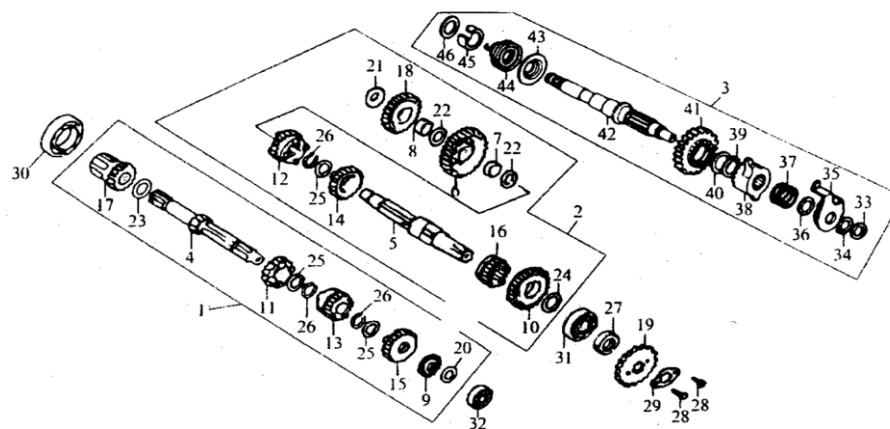
| S.NO. | PART CODE | DESCRIPTION | QUANTITY |
|---------|-----------|--------------------------|----------|
| A8 - 1 | H11K030 | MAIN SHAFT ASSY | 1 |
| A8 - 2 | 3022K040 | COUNTER SHAFT ASSY | 1 |
| A8 - 3 | F00I000 | KICK STARTER SHAFT ASSY | 1 |
| A8 - 4 | H11K031 | MAIN SHAFT | 1 |
| A8 - 5 | 302K041 | COUNTERSHAFT | 1 |
| A8 - 6 | 302K042 | FIRST GEAR,COUNTERSHAFT | 1 |
| A8 - 7 | F00K043 | BUSH | 1 |
| A8 - 8 | F00K044 | BUSH | 1 |
| A8 - 9 | H11K032 | SECOND GEAR,MAIN SHAFT | 1 |
| A8 - 10 | 302K045 | SECOND GEAR,COUNTERSHAFT | 1 |
| A8 - 11 | H11K033 | THIRD GEAR,MAIN SHAFT | 1 |
| A8 - 12 | 302K046 | THIRD GEAR,COUNTERSHAFT | 1 |
| A8 - 13 | H11K034 | FOURTH GEAR,MAIN SHAFT | 1 |
| A8 - 14 | 302K047 | FOURTH GEAR,COUNTERSHAFT | 1 |
| A8 - 15 | H11K035 | FIFTH GEAR,MAIN SHAFT | 1 |

A8 - TRANSMISSION ASSY



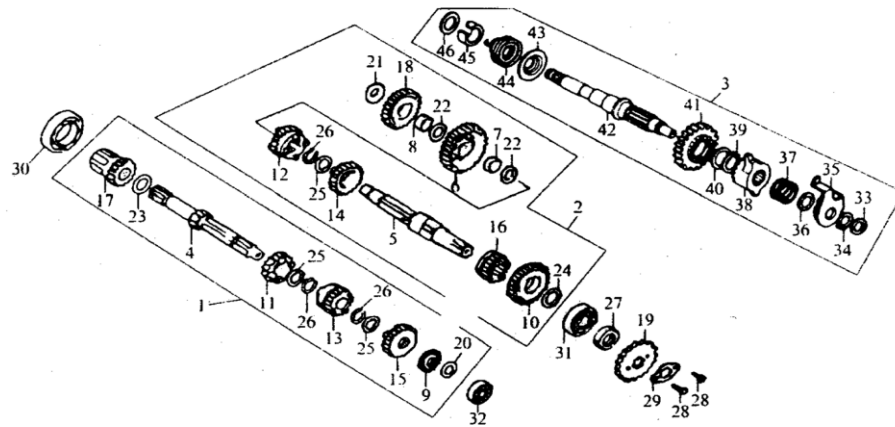
| S.NO. | PART CODE | DESCRIPTION | QUANTITY |
|---------|-----------|------------------------------|----------|
| A8 - 16 | 302K048 | FIFTH GEAR,COUNTERSHAFT | 1 |
| A8 - 17 | F00K036 | STARTING GEAR, MAIN SHAFT | 1 |
| A8 - 18 | F00K049 | STARTING GEAR, COUNTER SHAFT | 1 |
| A8 - 19 | F002K014 | OUTPUT SPROCKET | 1 |
| A8 - 20 | H09K037 | WASHER | 1 |
| A8 - 21 | F00K038 | WASHER | 1 |
| A8 - 22 | F00K039 | WASHER | 2 |
| A8 - 23 | F00K050 | WASHER | 1 |
| A8 - 24 | F00K051 | WASHER | 1 |
| A8 - 25 | F00K052 | SPLINE WASHER | 3 |
| A8 - 26 | F00K053 | CIRCLIP | 3 |
| A8 - 27 | F00K042 | OIL SEAL 20×34×7 | 1 |
| A8 - 28 | 578306010 | BOLT M6×10 | 1 |
| A8 - 29 | F00K013 | LOCATING PLATE,SPROCKET | 1 |
| A8 - 30 | 2766006 | BEARING 6106 | 1 |

A8 - TRANSMISSION ASSY



| S.NO. | PART CODE | DESCRIPTION | QUANTITY |
|---------|-----------|----------------|----------|
| A8 - 31 | 2766204 | BEARING 6204 | 1 |
| A8 - 32 | 2766202RS | BEARING 6202RS | 1 |
| A8 - 33 | F00I001 | WASHER | 1 |
| A8 - 34 | F00I002 | CIRCLIP 16MM | 1 |
| A8 - 35 | F00I003 | RATCHET GUIDE | 1 |
| A8 - 36 | F00I004 | WASHER | 1 |
| A8 - 37 | F00I005 | RATCHET SPRING | 1 |
| A8 - 38 | F00I006 | RATCHET GEAR | 1 |
| A8 - 39 | F00I007 | CIRCLIP 20MM | 1 |
| A8 - 40 | F00I008 | WASHER | 1 |
| A8 - 41 | F00I009 | STARTING GEAR | 1 |
| A8 - 42 | F00I010 | STARTING SHAFT | 1 |
| A8 - 43 | F00I011 | SPRING SEAT | 1 |
| A8 - 44 | F00I012 | RESET SPRING | 1 |
| A8 - 45 | F00I013 | SPRING SLEEVE | 1 |

A8 - TRANSMISSION ASSY

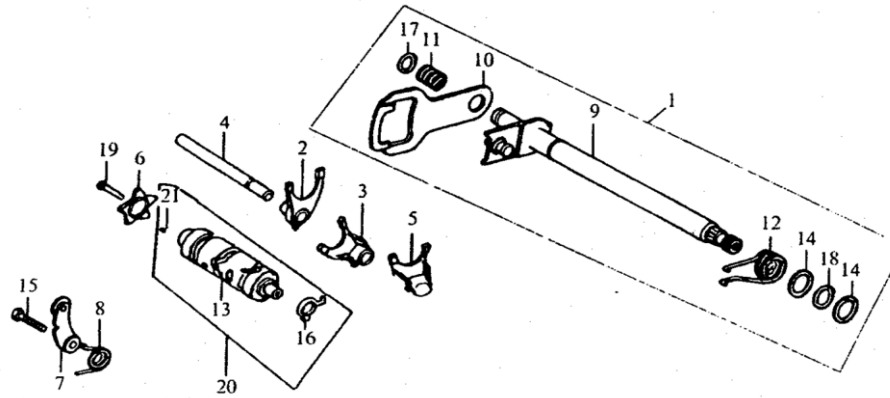


| S.NO. | PART CODE |
|---------|-----------|
| A8 - 46 | FOOIO14 |

DESCRIPTION
WASHER

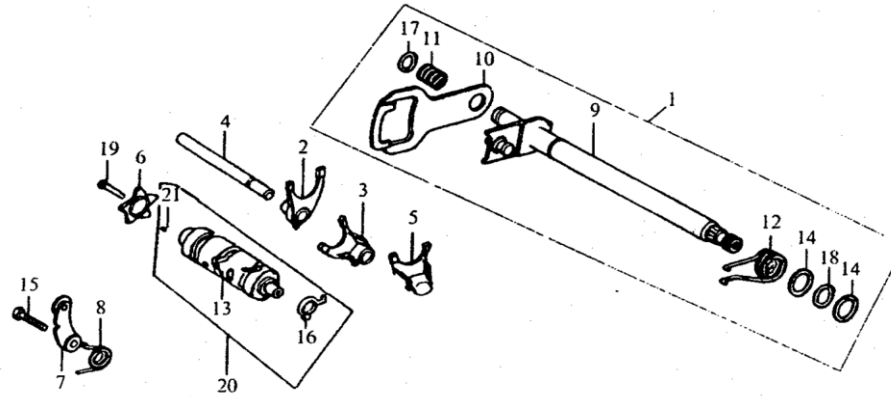
QUANTITY
1

A9 - GEAR SHAFT ASSY



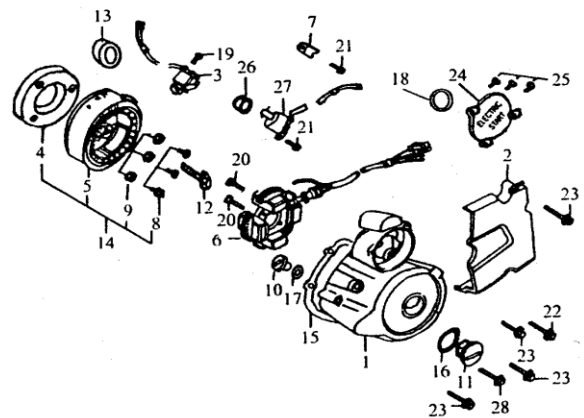
| S.NO. | PART CODE | DESCRIPTION | QUANTITY |
|---------|-----------|--------------------------|----------|
| A9 - 1 | FOOK000 | GEARSHIFT SHAFT COMP | 1 |
| A9 - 2 | FOOK061 | FORK, GEAR SHIFT, R | 1 |
| A9 - 3 | FOOK064 | FORK, CENTER GEAR SHIFT | 1 |
| A9 - 4 | FOOK073 | SHAFT, GEAR SHIFT FORK | 1 |
| A9 - 5 | FOOK065 | FORK, GEAR SHIFT, L | 1 |
| A9 - 6 | FOOK023 | CAM, GEAR SHIFT | 1 |
| A9 - 7 | FOOK070 | DRUM STOPPER | 1 |
| A9 - 8 | FOOH009 | RESET SPRING | 1 |
| A9 - 9 | FOOK001 | SHAFT COMP | 1 |
| A9 - 10 | FOOK002 | GEAR SHIFT PLATE | 1 |
| A9 - 11 | FOOK003 | SPRING, GEAR SHIFT PLATE | 1 |
| A9 - 12 | FOOK004 | RESET SPRING | 1 |
| A9 - 13 | FOOK066 | DRUM, GEAR SHIFT | 1 |
| A9 - 14 | FOOK005 | WASHER | 2 |
| A9 - 15 | 578306020 | BOLT M6×20 | 1 |

A9 - GEAR SHAFT ASSY



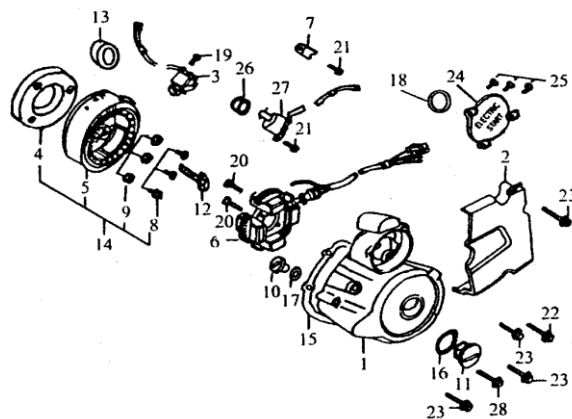
| S.NO. | PART CODE | DESCRIPTION | QUANTITY |
|---------|-----------|---------------------|----------|
| A9 - 16 | F00K067 | CONTACT SWITCH | 1 |
| A9 - 17 | F00K006 | CIRCLIP 12MM | 1 |
| A9 - 18 | F00K007 | CIRCLIP 14MM | 1 |
| A9 - 19 | 578306025 | BOLT M6×25 | 1 |
| A9 - 20 | F00K060 | GEARSHIFT DRUM COMP | 1 |
| A9 - 21 | F00K008 | PIN 4×10 | 1 |

A10 - LEFT CRANKCASE COVER/MAGNETO ASSY



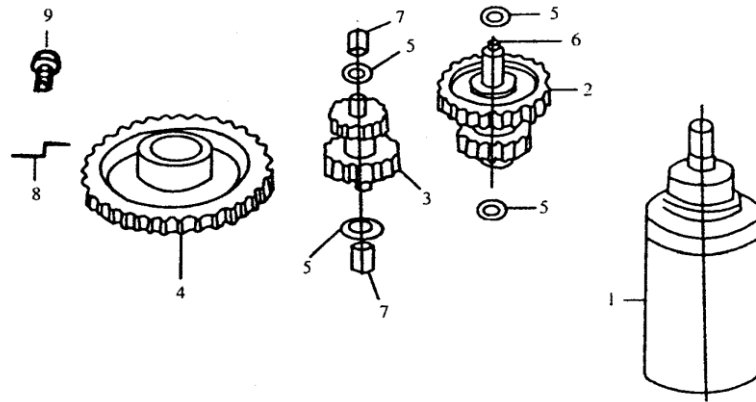
| S.NO. | PART CODE | DESCRIPTION | QUANTITY |
|----------|-------------|--------------------------------------|----------|
| A10 - 1 | F0017A040LH | LEFT CRANKCASE COVER (FUEGO) | 1 |
| A10 - 1 | F0012A040BT | LEFT CRANKCASE COVER (200B) | 1 |
| A10 - 2 | L00WG220LH | CHAIN GUARD, LEFT CRANK CASE (FUEGO) | 1 |
| A10 - 2 | L00WG293BT | CHAIN GUARD, LEFT CRANK CASE (200B) | 1 |
| A10 - 3 | F00D051 | TRANSDUCER | 1 |
| A10 - 4 | 302G070 | START CLUTCH BODY | 1 |
| A10 - 5 | H09D060 | ROTOR,MAGNETO | 1 |
| A10 - 6 | H09D070 | STATOR,MAGNETO | 1 |
| A10 - 7 | F00L011 | WIRE CLAMP | 1 |
| A10 - 8 | 7008030 | SCREW M8×30 | 3 |
| A10 - 9 | D00L015 | SPRING WASHER Ø8 | 3 |
| A10 - 10 | D00A042 | PLUG, WATCH HOLE | 1 |
| A10 - 11 | D00A043 | COVER | 1 |
| A10 - 12 | 96010035 | LOCK BOLT | 1 |
| A10 - 13 | F00C013 | OIL SEAL, CRANKSHAFT(50×34×7) | 1 |

A10 - LEFT CRANKCASE COVER/MAGNETO ASSY



| S.NO. | PART CODE | DESCRIPTION | QUANTITY |
|----------|-----------|----------------------------------|----------|
| A10 - 14 | H09D050 | FLYWHEEL COMP | 1 |
| A10 - 15 | F00B001 | GASKET, LEFT CRANKCASE COVER | 1 |
| A10 - 16 | D00C051 | O-RING FOR PLUG 27.5×2.5 | 1 |
| A10 - 17 | D00C052 | O-RING, WATCH HOLE PLUG 13.8×2.5 | 1 |
| A10 - 18 | F00C056 | O-RING 63×3 | 1 |
| A10 - 19 | 81805016 | SCREW M5×16 | 2 |
| A10 - 20 | 81805030 | SCREW M5×30 | 3 |
| A10 - 21 | 96006012 | BOLT M6×12 | 2 |
| A10 - 22 | 96006025 | BOLT M6×25 | 2 |
| A10 - 23 | 96006040 | BOLT M6×40 | 6 |
| A10 - 24 | F001A045 | UPPER COVER | 1 |
| A10 - 25 | 96006020 | SCREW M6×20 | 3 |
| A10 - 26 | F00C045 | NEUTRAL INDICATOR OIL SEAL | 1 |
| A10 - 27 | F00D030 | NEUTRAL INDICATOR | 1 |
| A10 - 28 | 96006050 | BOLT M6×50 | 2 |

A11 - STARTING MOTOR ASSY




| S.NO. | PART CODE | DESCRIPTION | QUANTITY |
|---------|-----------|----------------------------|----------|
| A11 - 1 | H09D000 | STARTING MOTOR ASSY | 1 |
| A11 - 2 | H09K019 | DOUBLE GEARS ASSY 1 | 1 |
| A11 - 3 | H09K018 | DOUBLE GEARS ASSY 2 | 1 |
| A11 - 4 | H09K021 | STARTING GEAR | 1 |
| A11 - 5 | F00L023 | WASHER | 4 |
| A11 - 6 | H09K020 | SHAFT | 1 |
| A11 - 7 | 2901010 | NEEDLE BEARING HK101410 | 2 |
| A11 - 8 | F00L027 | GEAR STOPPER, START CLUTCH | 1 |
| A11 - 9 | 96006012 | BOLT M6×12 | 1 |



Raybar

www.raybarmotorcycles.com

 /raybarmoto